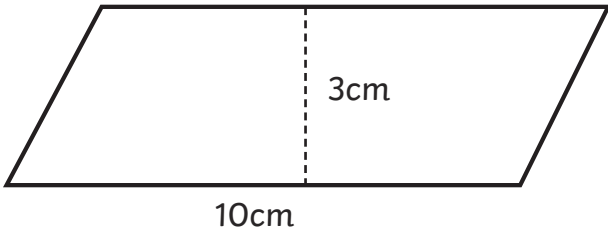


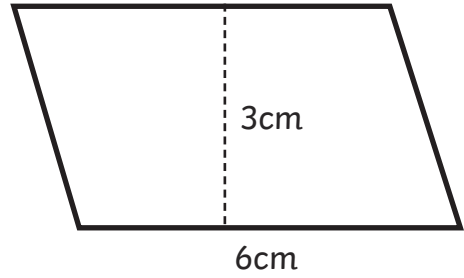
Area of Rectangles and Parallelograms

I can calculate the area of rectangles and parallelograms.

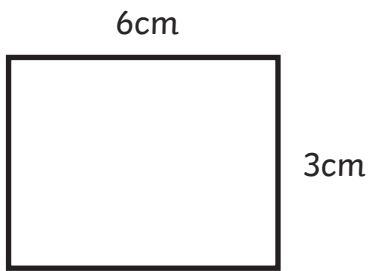
a.



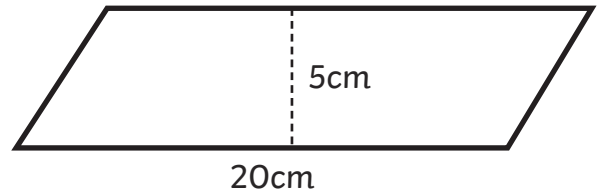
b.



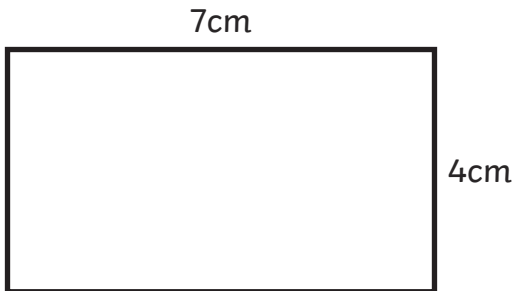
c.



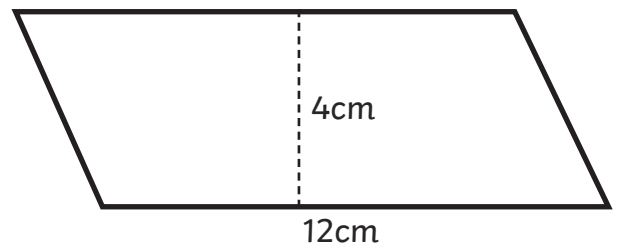
d.



e.



f.



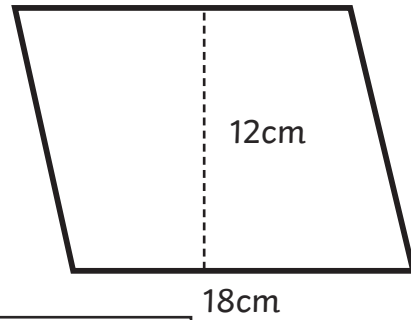
Area of Rectangles and Parallelograms

I can calculate the area of rectangles and parallelograms.

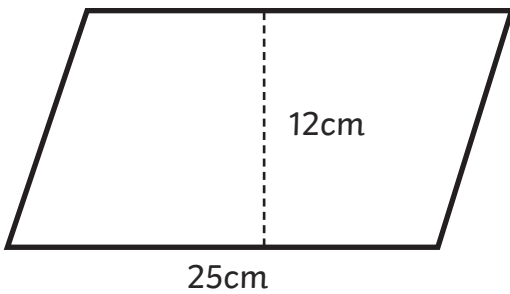
a.



b.



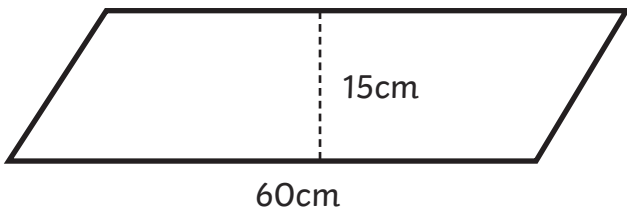
c.



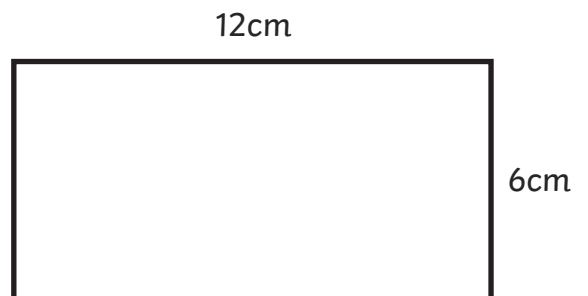
d.



e.



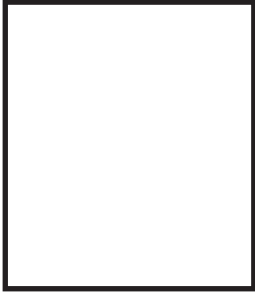
f.



Area of Rectangles and Parallelograms

I can calculate the area of rectangles and parallelograms.

a.

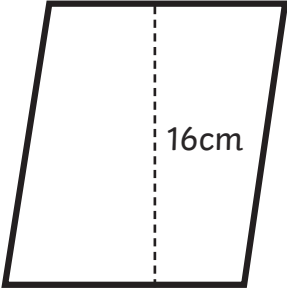


12cm

10.5cm

--

b.

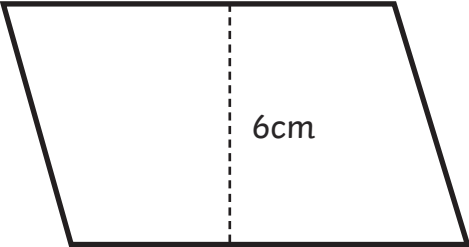


16cm

16cm

--

c.




6cm

11.5cm

--

d.

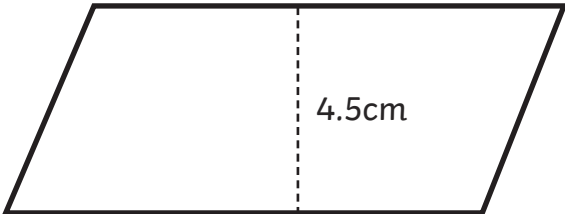


3.5cm

16cm

--

e.

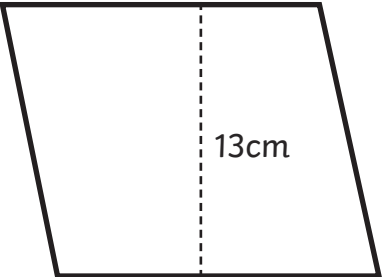


4.5cm

12cm

--

f.



13cm

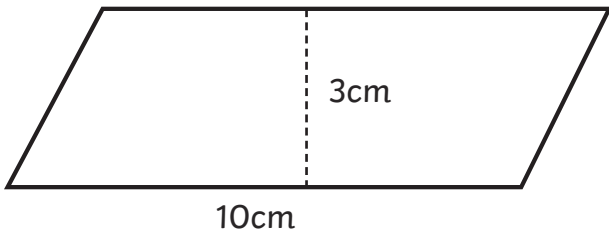
18cm

--

Area of Rectangles and Parallelograms **Answers**

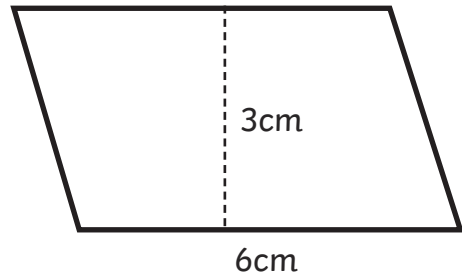
I can calculate the area of rectangles and parallelograms.

a.



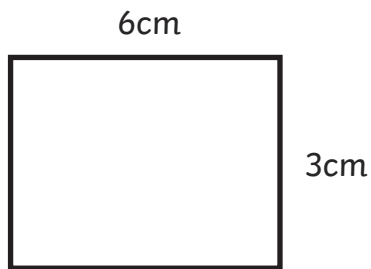
30cm^2

b.



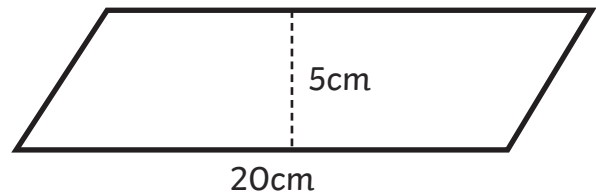
18cm^2

c.



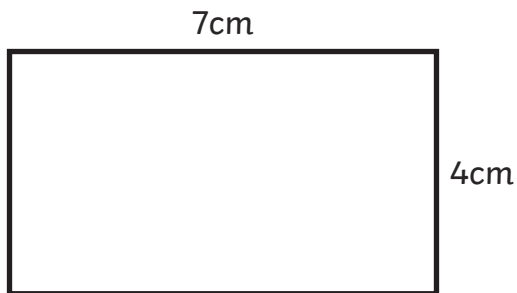
18cm^2

d.



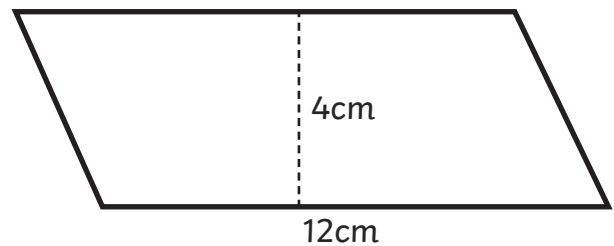
100cm^2

e.



28cm^2

f.

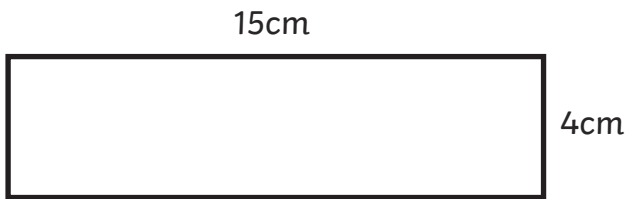


48cm^2

Area of Rectangles and Parallelograms **Answers**

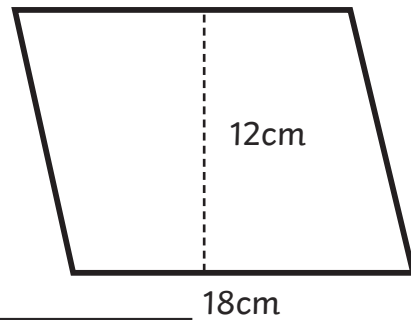
I can calculate the area of rectangles and parallelograms.

a.



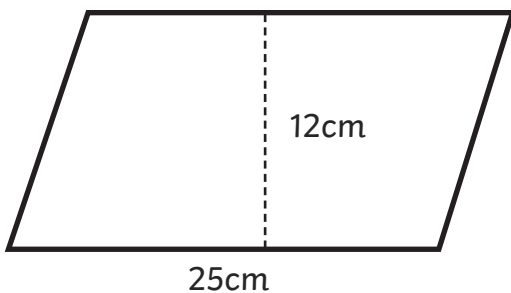
60cm^2

b.



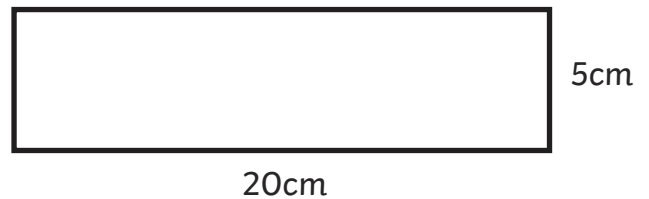
216cm^2

c.



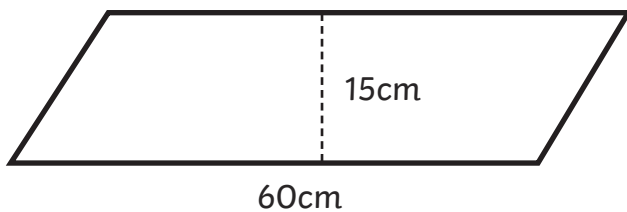
300cm^2

d.



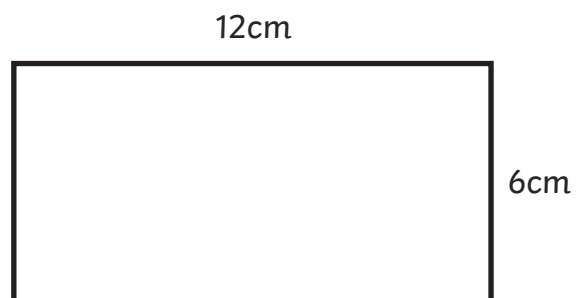
100cm^2

e.



900cm^2

f.

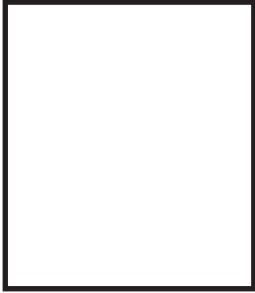


72cm^2

Area of Rectangles and Parallelograms **Answers**

I can calculate the area of rectangles and parallelograms.

a.

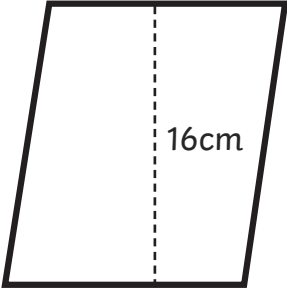


12cm

10.5cm

126cm^2

b.

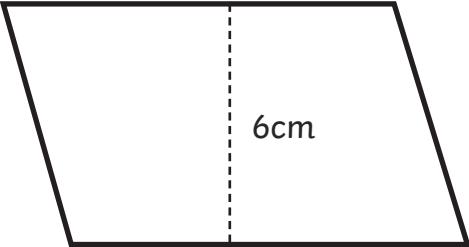


16cm

16cm

256cm^2

c.




6cm

11.5cm

69cm^2

d.

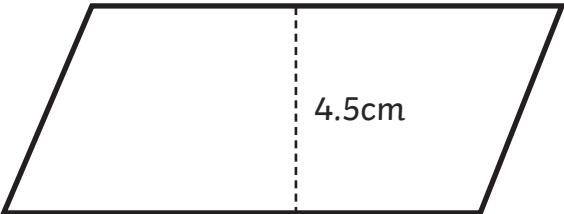


3.5cm

16cm

56cm^2

e.

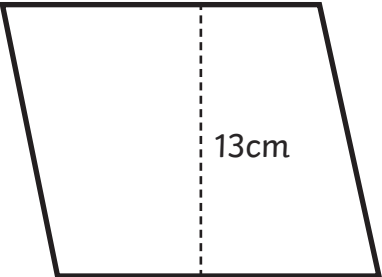


4.5cm

12cm

54cm^2

f.



13cm

18cm

234cm^2